

Ref. : CB 2143.pas

Rev. : I

Date : 11/10/2013

Page : 1/1

# BSP THREADED TYPE SWING CHECK VALVE PN20

## CB 2143



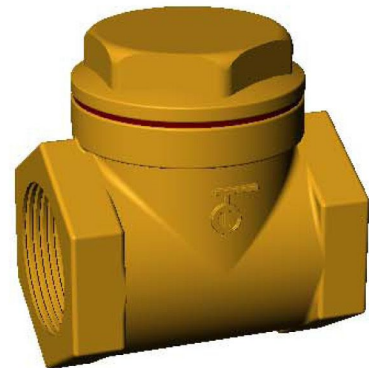
**Tecofi**   
FAREX FLUID SOLUTION DESIGNER

### APPLICATION

General uses: distribution and water treatment, irrigation, pumping in general, etc.

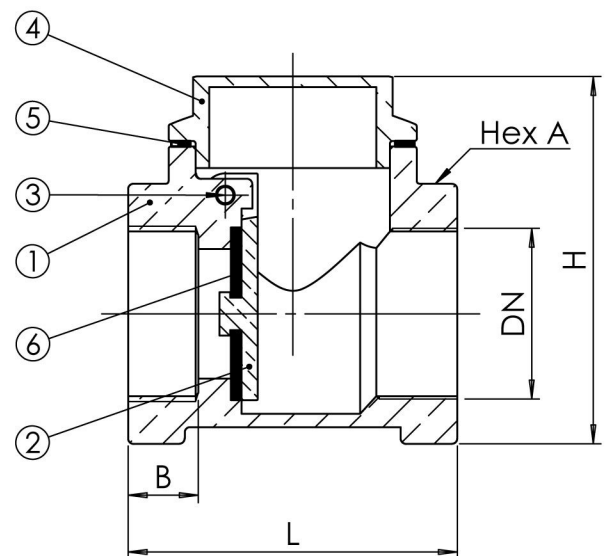
### GENERAL CHARACTERISTICS

From DN 1/2" to DN 2".  
Low head loss.  
Simplicity and facility in use.  
Low weight.  
Extremely reliable, noiseless



### CONSTRUCTION

6	1	Gasket	NBR	
5	1	Gasket	Fiber	
4	1	Cover	Bronze CuSn5Zn5Pb5-C	DIN: G-CuSn5PbZn (Rg 5) ASTM: B62 C83600 BS: 1400 LG2
3	1	Stem	Bronze CuSn5Zn5Pb5-C	DIN: G-CuSn5PbZn (Rg 5) ASTM: B62 C83600 BS: 1400 LG2
2	1	Disc	Bronze CuSn5Zn5Pb5-C	DIN: G-CuSn5PbZn (Rg 5) ASTM: B62 C83600 BS: 1400 LG2
1	1	Body	Bronze CuSn5Zn5Pb5-C	DIN: G-CuSn5PbZn (Rg 5) ASTM: B62 C83600 BS: 1400 LG2
<b>Pos.</b>	<b>Qty.</b>	<b>Description</b>	<b>Material</b>	



### DIMENSIONS

DN		L	H	A	B	Weight (kg)
mm	inch					
15	1/2"	49	50	27	9,2	0,16
20	3/4"	58	56.25	32	10,0	0,23
25	1"	68	70	40	11,4	0,27
32	1"1/4	76	78	48	11,5	0,55
40	1"1/2	88	92	55	11,7	0,79
50	2"	103	104.5	66	13,2	1,13

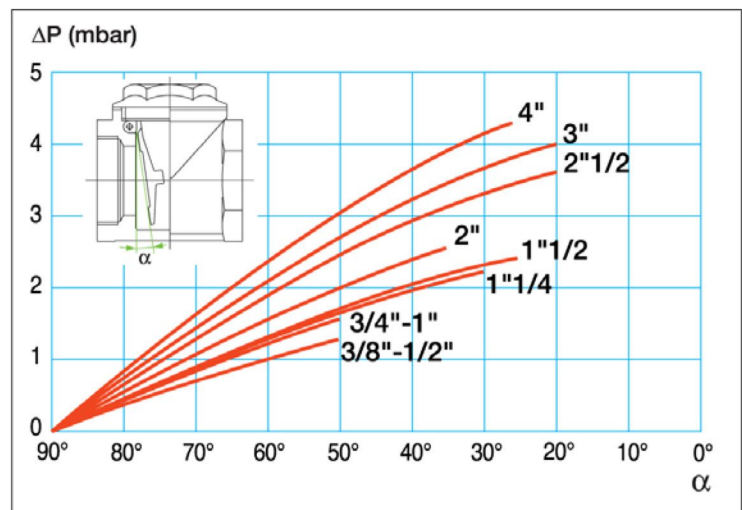
### WORKING CONDITIONS

Maximum working pressure : 20 bar.  
Maximum temperature : + 80°C.

Pressure test according to standards  
EN 12266-1, DIN 3230, BS 5154 and ISO 5208 :  
Body : 30 bar.  
Seat: 22 bar.

### STANDARDS

BSP threaded according to standard ISO 228-1.



**TECOFI France** - 83, Rue Marcel Mérieux 69960 Corbas - FRANCE  
Tél. +33 (0) 4 72 79 05 79 - Fax +33 (0) 4 78 90 19 19 / +33 (0) 4 72 79 05 70  
Adresses e-mail : sales@tecofi.fr ; tecofi@tecofi.fr / Site web : www.tecofi.fr