

Ref. : VG 6400-BX4.pas

Rev. : F

Date : 29/04/2014

Page : 1/1

# KNIFE GATE VALVE WITH ELECTRIC ACTUATOR "BERNARD"

## VG 6400-BX4



### APPLICATION

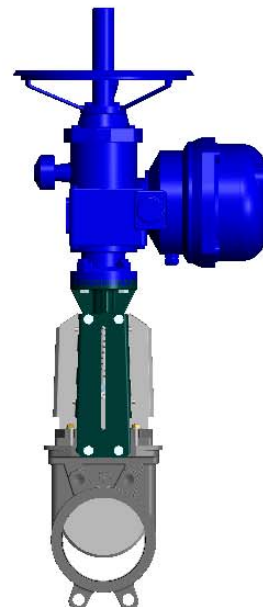
General use : Pulp production, water, water treatment, waste water, chemical industry (powdery or crystallizing products), wine-producing, pulverized products (cement work, pneumatic transport, stocking).

### GENERAL CHARACTERISTICS

Function ON/OFF or regulation.  
Wafer threaded mounting ISO PN10.  
Unidirectional tightness, direction indication thanks to the arrow on the body. Small retention zone: the gate is guided in the body and has little clearance.  
Gland assembly: packing and O-ring (same material as seat joint) to assure the elasticity and decrease the operating torque.  
Small head loss.  
Possibility to regulate thick fluids with the adaptation of a diaphragm ring .

### PRODUCT REFERENCE

	REFERENCES	Electric actuator type
<input type="checkbox"/>	VG 6400-B04	BERNARD 400V 3 PH
<input type="checkbox"/>	VG 6400-B14	BERNARD 230V 3 PH
<input type="checkbox"/>	VG 6400-B24	BERNARD 230V 1 PH
<input type="checkbox"/>	.....	.....



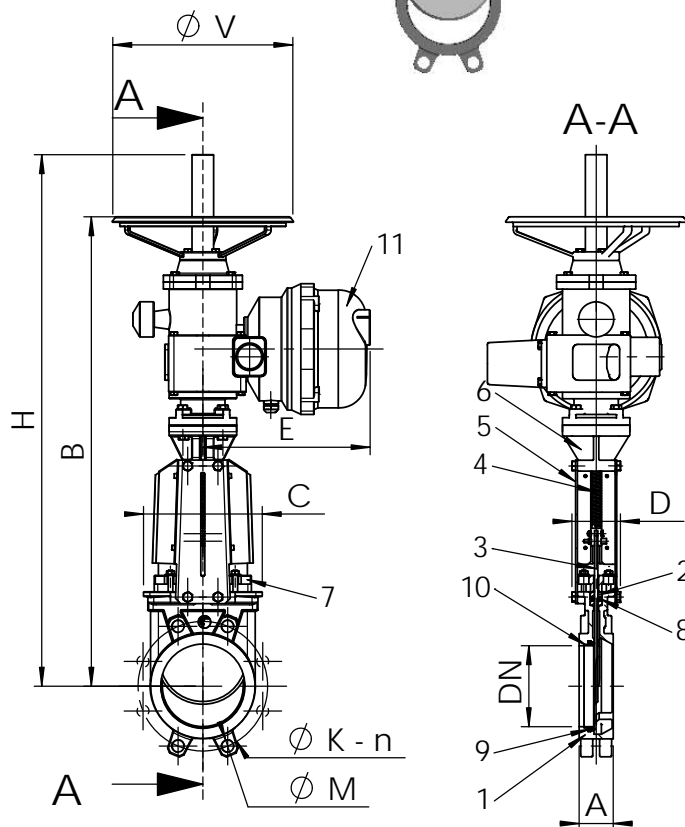
### CONSTRUCTION

Pos.	Qty.	Description	Material	Material
11	1	Electric actuator		BERNARD
10**	1	Support ring	Stainless steel 316	DIN : X5CrNiMo18 10 ASTM : A 182 AISI 316 BS : 316 S16
9**	1	Gasket	EPDM	
8	1	O-ring	EPDM	
7	1	Packing gland	Stainless steel	
6	1	Nut support	Painted steel	
5*	2	Support plate	Steel + epoxy	
4	1	Stem	Stainless steel 13%Cr	
3	1	Knife gate	Stainless steel X5CrNi 18-10	DIN : X5CrNiMo18 10 ASTM : A 182 AISI 316 BS : 316 S16
2	2	Packing	PTFE	
1	1	Body	Stainless steel GX5CrNiMo 19-11-2	DIN : G-X6CrNiMo 1810 ASTM : A48 class 40B BS : 1452 Grade 250

\* Pre-shaped parts up to DN 300.  
\*\*Missing parts on metal/metal tightness.

### DIMENSIONS

DN	Actuator type	A	B	C	D	E	F	Ø V	H	Ø K	n	Ø M	Weight (kg)	
50	2"	ASM6	40	587	124	83	291	247	300	587	125	4	4-M16	30
65	2 1/2"	ASM6	40	612	139	83	291	247	300	612	145	4	4-M16	30
80	3"	ASM6	50	637	154	83	291	247	300	637	160	8	4-M16	31
100	4"	ASM6	50	682	174	83	291	247	300	682	180	8	4-M16	32
125	5"	ASM6	50	720	189	93	291	247	300	720	210	8	4-M16	37
150	6"	ASM6	60	771	220	93	291	247	300	771	240	8	4-M20	41
200	8"	ASM6	60	890	275	108	291	247	300	890	295	8	4-M20	58
250	10"	ASM6	70	982	326	108	291	247	300	1013	350	12	8-M20	72
300	12"	ST14	70	1110	380	108	265	318	300	1157	400	12	8-M20	83
350	14"	ST14	96	1220	438	290	265	318	300	1305	460	16	10-M20	135
400	16"	ST14	100	1330	494	290	265	318	300	1473	515	16	10-M24	165
450	18"	ST30	106	1475	547	290	310	433	450	1628	565	20	14-M24	206
500	20"	ST30	110	1585	613	290	310	433	450	1778	620	20	14-M24	241
600	24"	ST30	110	1789	716	290	310	433	450	2079	725	20	14-M27	296

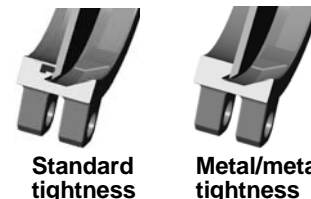


### WORKING CONDITIONS

Maximum working pressure : DN 50-250 : 10 bar  
 DN 300-450 : 7 bar  
 DN 500-600 : 4 bar

Maximum temperature : -10°C / +130°C (Standard tightness)

Others material on request (If marked)	Maximum temperature	
Metal / metal	T max : -10°C / +130°C.	<input type="checkbox"/>
White Nitril	T max : -10°C / +80°C.	<input type="checkbox"/>
EPDM	T max : -10°C / +130°C.	<input type="checkbox"/>
Silicone	T max : -10°C / +170°C.	<input type="checkbox"/>
FPM (Type Viton®)	T max : -10°C / +170°C.	<input type="checkbox"/>
PTFE	T max : +4°C / +170°C.	<input type="checkbox"/>
CSM (Type Hypalon®)	T max : +4°C / +80°C.	<input type="checkbox"/>



### STANDARDS

Manufacture according to the requirements of the European directive 97/23/CE «Equipments under pressure» : modulate H.  
 Test procedures are established according to standard EN 12266-1, DIN 3230, BS 5154 and ISO 5208.  
 Connections according to standard EN 1092-2 and DIN 2501 : ISO PN10.

**TECOFI France** - 83, Rue Marcel Mérioux 69960 Corbas - FRANCE  
 Tél. +33 (0) 4 72 79 05 79 - Fax +33 (0) 4 78 90 19 19 / +33 (0) 4 72 79 05 70  
 Adresses e-mail : sales@tecofi.fr ; tecofi@tecofi.fr / Site web : www.tecofi.fr