

FLANGED TYPE BUTTERFLY VALVE WITH ELECTRIC ACTUATOR TECLARGE FL

VP 4509-04



ROBINETTERIE INDUSTRIELLE ET ACCESSOIRES
INDUSTRIAL VALVES AND ACCESSORIES

APPLICATION

General use : water, sea water, sludge, etc.

GENERAL CHARACTERISTICS

Design in accordance with NF EN 593.

Tightness in both ways, NF EN 12266-1, ISO 5208, DIN 3230.

Two kinds of sleeve:

- body in dovetail shape ensures a perfect assembling (for high vacuum we can stick it),
- sleeve internally reinforced in resin giving a low torque.

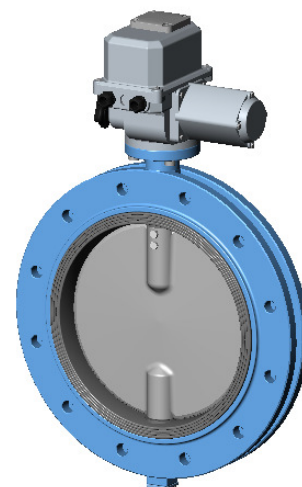
Stem: half stem high and low or crossing stem depending on the diameter.

Coupling stem on butterfly assembled by blind screw.

Self lubricant bearing in copper alloy.

Supplementary tightness on stem by o'rings.

Dovetail type sleeve.



CONSTRUCTION

7	1	Electric actuator		
6	2	Bottom cover	Cast iron EN-GJL-250	DIN: GG25 ASTM: A48 class 40B BS: 1452 Grade 250
5	1	Upper stem	Stainless steel 410	DIN: 1.4006 ASTM: AISI 410 BS: 410 S 21
4	1	Lower stem	Stainless steel 410	DIN: 1.4006 ASTM: AISI 410 BS: 410 S 21
3	1	Sleeve	Heat EPDM	
2	1	Disc	Stainless steel 316 GX5CrNiMo 19-11-2	DIN: G-X6CrNiMo18 10 ASTM: A351 Grade CF8M BS: 1504 316 C16
1	1	Body	Ductile iron EN-GJS-400-15	DIN: GGG40 ASTM: A536 65-45-12 BS: EN-JS1030
Rep.	Nb.	Designation	Material	

DIMENSIONS

DN		Upper flange					Valve dimensions PN10**							Weight (kg)
mm	inch	ISO	ØD	ØD1	n x ØN	G	H	L	ØK	n1 x ØM	n2 x ØL			
350	14"	F10	125	102	4 x Ø12	267	368	78(92)*	460	4 x M 20	12 x Ø22	70		
400	16"	F14	175	140	4 x Ø18	309	400	102	515	4 x M 24	12 x Ø26	88		
450	18"	F14	175	140	4 x Ø18	328	422	114	565	4 x M 24	16 x Ø26	164		
500	20"	F14	175	140	4 x Ø18	361	480	127	620	4 x M 24	16 x Ø26	179		
600	24"	F16	210	165	4 x Ø23	459	562	154	725	4 x M 27	16 x Ø30	276		
700	28"	F25	300	254	8 x Ø18	520	624	165	840	4 x M 27	20 x Ø30	414		
800	32"	F25	300	254	8 x Ø18	591	672	190	950	4 x M 30	20 x Ø33	498		
900	36"	F25	300	254	8 x Ø18	656	720	203	1050	4 x M 30	24 x Ø33	884		
1000	40"	F25	300	254	8 x Ø18	721	800	216	1160	4 x M 33	24 x Ø36	1055		
1200	48"	F30	350	298	8 x Ø23	860	900	254	1380	4 x M 36	24 x Ø39	1574		

* L = 92 on request.

** PN16 / ASA 150 on request.

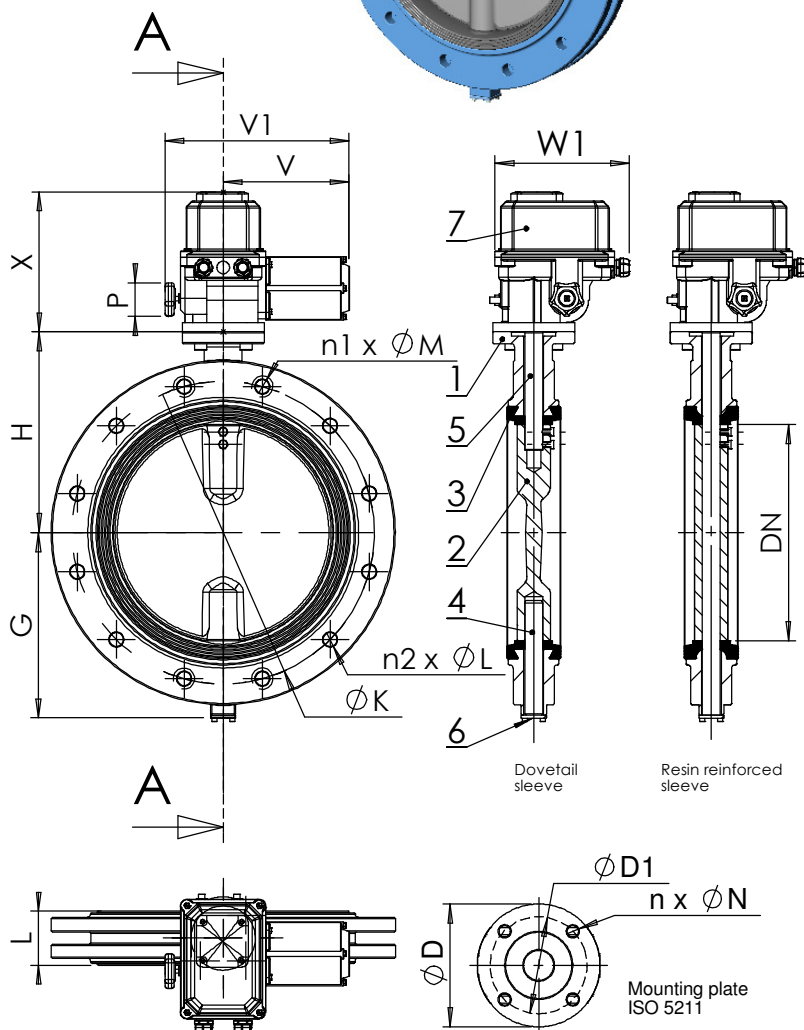
DN		Differential pressure : 10 bar					Actuator Ref
mm	inch	X	P	V	V1	W1	
350	14"	208	250	509	340	315	AS 80
400	16"	259	300	519	405	346	AS 100
450	18"	281	300	663	475	463	AS 200
500	20"	281	300	663	475	463	AS 200
600	24"	281	300	645	497	458	AS 400
700	28"	299	400	784	212	434	ASM1+RS600
800	32"	299	400	784	212	434	ASM1+RS600
900	36"	328	300	903	237	427	ASM2+RS1825
1000	40"	328	300	1081	237	427	ASM2+RS1825G
1200	48"	381	300	1081	304	562	ASM2+RS3030G

WORKING CONDITIONS

Maximum working pressure : 10 bar.

Maximum temperature : -15°C / +130 °C.

Peak temperature : -30°C / +150°C.



STANDARDS

Manufacture according to the requirements of the European directive 97/23/CE «Equipments under pressure» : category III modulate H.

Pressure test according to standards EN 12266-1, DIN 3230, BS 5154 and ISO 5208 :

Body : 15,5 bar.

Seat : 11 bar.

Face to face according to standard EN 558-1 serie 20, ISO 5752 serie 20 and DIN 3202.

Flanged type ISO PN10 connections according to standard EN 1092-2.