

# BUTTERFLY VALVE WITH SINGLE ACTING PNEUMATIC ACTUATOR

VPN 3448-07



## APPLICATION

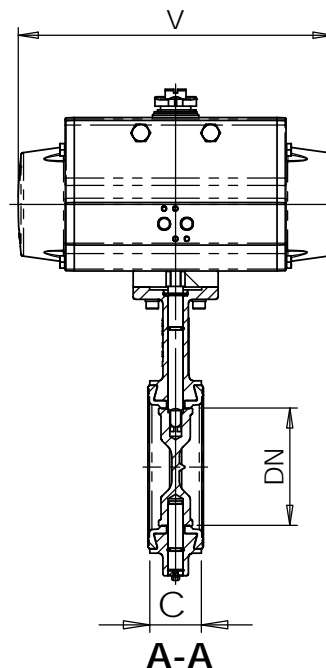
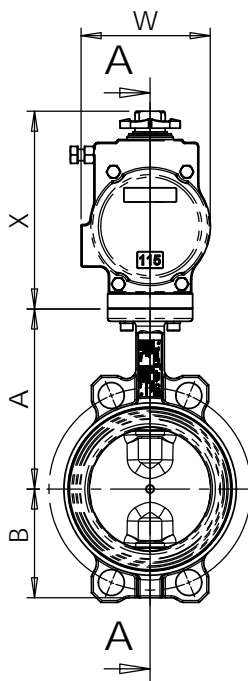
General use : water, air, acids etc...

## CARACTERISTIQUES GENERALES

Design according with BS EN 593.  
Type with lugs, tightness in both ways.  
Sleeve in dovetail shape ensures a perfect assembling (for high vacuum we can stick it).  
High and low semi stem giving a high flow coefficient, machined disc on periphery giving a low and regular torque.  
Unejectable stem, dovetail type sleeve, mounting flange according to ISO 5211.

## CONSTRUCTION

13	1	SA pneumatic actuator		
12	1	Spacer	Aluminium	
11	1	Nameplate	Stainless steel 304	
10	2	Circlip	Steel	
9	1	Bottom cover	NBR	
8	2	O ring	EPDM	
7	1	Antidust ring	NBR	
6	1	Anti blowout ring	Stainless steel 420	DIN : 1.4021 ASTM : AISI 420 BS : 420 S 37
5	1	Upper stem	Stainless steel 420	DIN : 1.4021 ASTM : AISI 420 BS : 420 S 37
4	1	Lower stem	Stainless steel 420	DIN : 1.4021 ASTM : AISI 420 BS : 420 S 37
3	1	Sleeve	EPDM CH	In standard
2	1	Disc	Ductile iron EN-GJS-400-15	DIN : GGG40 ASTM : A536 65-45-12 BS : EN-JS1030
1	1	Body	EN-GJL-250	DIN : GG25 ASTM : A48 class 40B BS : 1452 Grade 250
Pos.	Q-ty	Description	Material	



## DIMENSIONS

DN		Ref.	A	B	C	X	V	W	Weight (kg)
mm	inch								
40**	1 1/2	SR63	134	58	34	133	164	80,5	3,6
50	2"	SR63	139,7	65	41,8	133	164	80,5	4,2
65	2 1/2	SR63	152,4	73	45,3	133	164	80,5	4,6
80	3"	SR75	158,8	85	45,3	151	210	94,5	6,6
100	4"	SR100	178	100	51,5	173,8	275	123	10,9
125	5"	SR115	190,5	115	54,5	209,4	333	137	17,7
150	6"	SR115	203	120	54,5	209,4	333	137	18,6
200	8"	SR140	238	160	59,6	249	435	164	34,6
250	10"	SR160	268,3	195	68	273	500	186	49,1
300	12"	SR200	306,4	230	78	378	578,5	217	85,9

ΔP maxi = 16 bar and air supply pression 5 bar

\*\* Can be installed between DN32 flanges

## WORKING CONDITIONS

Maximum working pressure : 16 bar.

Maximum working temperature : -15°C / +130°C.

Peak temperature: -30°C / +150°C

Sleeve types in option	Maximum temperature	Peak temperature
EPDM	+ 4°C / + 110°C	- 20°C / +130°C
White EPDM	+ 4°C / + 110°C	- 20°C / +130°C
CSM (Type Hypalon®)	+ 4°C / +80°C	- 20°C / +110°C
FPM (Type Viton®)	- 10°C / +170°C	- 20°C / +200°C
Silicone	- 20°C / +170°C	- 40°C / +200°C
Nitril (NBR)	- 10°C / +80°C	- 20°C / +90°C

## STANDARDS

Manufacture according to the requirements of the European directive 97/23/CE «Equipment under pressure»: modulate H. Face to face according to standards NF EN 558-1 serie 20, ISO 5272 série 20, DIN 3202.

Mounting between flanges PN 10 / PN 16: according to EN 1092-2, BS 450, ANSI B16.1-5.

Adjustable between flanges ASME B16.5 Class 150 and JIS 10K. Pressure test according to standards EN 12266-1, DIN 3230, BS 6755 and ISO 5208 :

Corps: 24 bar

Siège: 17.6 bar

**TECOFI France** - 83, Rue Marcel Mérieux 69960 Corbas - France  
Tél. +33 (0)4 72 79 05 79 - Fax +33 (0)4 78 90 19 19 / +33 (0)4 72 79 05 79  
Adresses e-mail: sales@tecofi.fr; tecofi@tecofi.fr / site web: www.tecofi.fr