

Ref. : VPN 3449-N03 pas

Rev. : B

Date : 04/11/2014

Page : 1/1

BUTTERFLY VALVE WITH DOUBLE ACTING PNEUMATIC ACTUATOR

VPN 3449-N03



Tecofi
VALVE DESIGNER - FRANCE

APPLICATION

General use : water, sea water, air, acids etc...

CARACTERISTIQUES GENERALES

Design according with BS EN 593.
Type with lugs, tightness in both ways.
Sleeve in dovetail shape ensures a perfect assembling (for high vacuum we can stick it).
High and low semi stem giving a high flow coefficient, machined disc on periphery giving a low and regular torque.
Unejectable stem, dovetail type sleeve, mounting flange according to ISO 5211.

CONSTRUCTION

13		Pneumatic actuator		
12	1	Spacer	Aluminium	
11	1	Nameplate	Stainless steel 304	
10	2	Circlip	Steel	
9	1	Bottom cover	NBR	
8	2	O ring	EPDM	
7	1	Antidust ring	NBR	
6	1	Anti blowout ring	Stainless steel 420	DIN : 1.4021 ASTM : AISI 420 BS : 420 S 37
5	1	Upper stem	Stainless steel 420	DIN : 1.4021 ASTM : AISI 420 BS : 420 S 37
4	1	Lower stem	Stainless steel 420	DIN : 1.4021 ASTM : AISI 420 BS : 420 S 37
3	1	Sleeve	EPDM CH	In standard
2	1	Disc	GX5CrNiMo19-11-2	DIN: G-X6CrNiMo18 10 ASTM : A 351 Grade CF8M BS: 1504 316 C16
1	1	Body	EN-GJL-250	DIN : GG25 ASTM : A48 class 40B BS : 1452 Grade 250
Pos.	Q-ty	Description	Material	

DIMENSIONS

DN		Actuator reference	A	B	C	X	V	W	TYPE	Poids (kg)
mm	inch									
40**	1 1/2	TDA052	134	58	34	112	146	67,5	F05	2,7
50	2"	TDA052	139,7	65	41,8	112	146	67,5	F05	3,3
65	2 1/2	TDA052	152,4	73	45,3	112	146	67,5	F05	3,7
80	3"	TDA052	158,8	85	45,3	112	146	67,5	F05	4,2
100	4"	TDA075	178	100	51,5	137	186	92	F05	6,6
125	5"	TDA083	190,5	115	54,5	146	210	97	F07	9,4
150	6"	TDA083	203	120	54,5	146	210	97	F07	10,3
200	8"	TDA105	238	160	59,6	175	272	116	F10	19,3
250	10"	TDA125	268,3	195	68	207	302	134,5	F10	29,5
300	12"	TDA160	306,4	230	78	249	456	161	F10	48,5

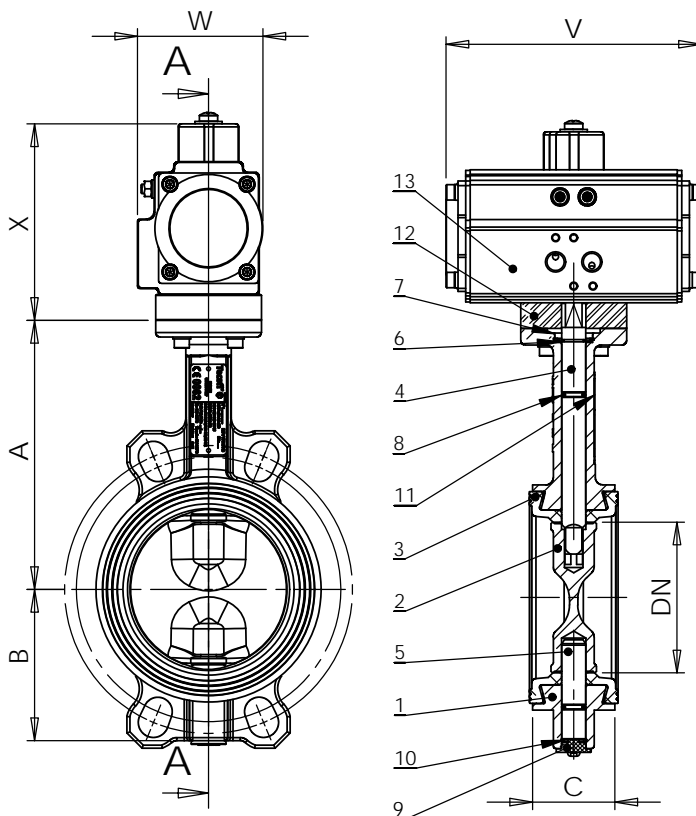
Maximum Δp 16 bar and air supply pressure 5 bar

** Can be installed between DN32 flanges

WORKING CONDITIONS

Maximum working pressure : 16 bar.
Maximum working temperature : -15°C / +130°C.
Peak temperature: -30°C / +150°C

Sleeve types in option	Maximum temperature	Peak temperature
EPDM	+ 4°C / + 110°C	- 20°C / +130°C
White EPDM	+ 4°C / + 110°C	- 20°C / +130°C
CSM (Type Hypalon®)	+ 4°C / +80°C	- 20°C / +110°C
FPM (Type Viton®)	- 10°C / +170°C	- 20°C / +200°C
Silicone	- 20°C / +170°C	- 40°C / +200°C
Nitril (NBR)	- 10°C / +80°C	- 20°C / +90°C



STANDARDS

Manufacture according to the requirements of the European directive 97/23/CE «Equipment under pressure»: modulate H. Face to face according to standards NF EN 558-1 serie 20, ISO 5272 série 20, DIN 3202.
Mounting between flanges PN 10 / PN 16: according to EN 1092-2, BS 450, ANSI B16.1-5.
Adjustable between flanges ASME B16.5 Class 150 and JIS 10K.
Pressure test according to standards EN 12266-1, DIN 3230, BS 6755 and ISO 5208 :
Corps: 24 bar
Siège: 17.6 bar

TECOFI France - 83, Rue Marcel Mérieux 69960 Corbas - France
Tél. +33 (0)4 72 79 05 79 - Fax +33 (0)4 78 90 19 19 / +33 (0)4 72 79 05 79
Adresses e-mail: sales@tecofi.fr; tecofi@tecofi.fr / site web: www.tecofi.fr