

# WAFER TYPE DUAL PLATE CHECK VALVE PN10/16

## CB 3448N



### APPLICATION

General uses: pumping, water supply, air conditioning installation.

### GENERAL CHARACTERISTICS

Range: From DN 40 to DN 800.  
Mounting between flanges.  
Working positions: horizontal and vertical ascending, and vertical descending position < DN 150.  
Mounting in accordance with many standards connections.  
Low head loss.  
Stainless steel spring technology to avoid fluid hammer.

### CONSTRUCTION

9	Ring	Carbon steel
8	Stop nut	Stainless steel 201
7	Seat	EPDM
6	Gasket	PTFE
5	Gasket	PTFE
4	Spring	Stainless steel 304
3	Stem	Stainless steel 410
2	Plate	Ductile iron EN-GJS-400-15
1	Body	Cast iron
<b>Pos.</b>	<b>Description</b>	<b>Material</b>

### DIMENSIONS

DN		ØA	ØE	D	H	ØC	R	Weight (kg)
mm	inch							
40	1 1/2	92	66	7,5	43	41,1	25,5	1
50	2"	107	66	7,5	43	41,1	28,8	1,3
65	2 1/2	126	80,7	8	46	64,6	36,1	1,8
80	3"	141	95	8,5	64	62,6	43,4	3
100	4"	161	117,8	9,5	64	84,2	52,8	3,9
125	5"	191	145,6	10	70	119,8	65,7	5,7
150	6"	217	170,5	11	76	141	78,6	8
200	8"	272	224,8	12	89	201,5	104	14,3
250	10"	327	266	14	114	229	127	24,9
300	12"	377	310,8	15	114	279	148	33,5
350	14"	437	360	22	127	333	173	55
400	16"	487	410	25,4	140	383	199	75
450	18"	537	450	27	152	420,6	218	101
500	20"	592	505	29	152	475,5	245	111
600	24"	700	624	32	178	589	303	172
700	28"	820	720	30	229	670	349	291
800	32"	930	825	32	241	770	398	390

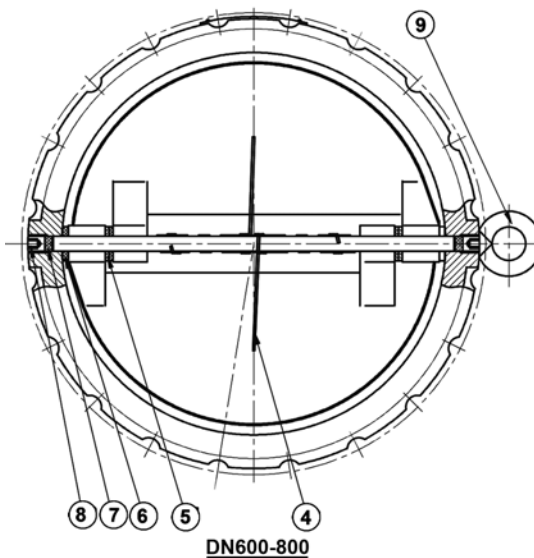
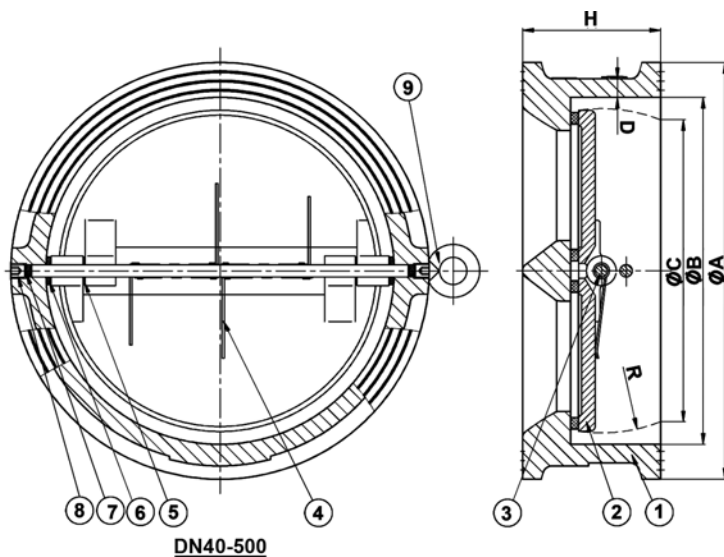
### WORKING CONDITIONS

Maximum working pressure :16 bar.  
Maximum temperature : +4°C / +110°C.

Pressure test according to standards  
EN 12266-1, DIN 3230, BS 6755 and ISO 5208 :  
Body : 24 bar.  
Seat : 17,6 bar.

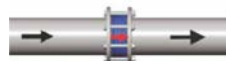
### STANDARDS

Manufacture according to the requirements of the European directive 2014/68/UE «Equipment under pressure»: category III modulate H.  
Face to face according to standard EN 558-1 serie 16.  
Mounting between flanges according to standard EN 1092-2 : PN10/16.



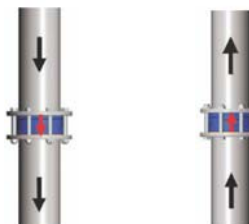
#### Horizontal

For assembling in horizontal position, check axis as to be placed in vertical position.



#### Vertical

To be assembled in vertical position the opening direction of the plates has to be in accordance to the direction of the fluid.



Descending flow  
DN<150

Ascending Flow