

Ref. : CB 6450.pas

Rev. : G

Date : 27/12/2013

Page : 1/1

WAFER TYPE DUAL PLATE CHECK VALVE CB 6450



Tecofi
VALVE DESIGNER - FRANCE

APPLICATION

General uses: pumping, water supply, gas, air conditioning installation.

GENERAL CHARACTERISTICS

Gamme : du DN 50 au DN 600
Mounting between flanges.
Working position: horizontal and vertical ascending, and vertical descending position < DN 150.
Low head loss.
Stainless steel spring to avoid fluid hammer.

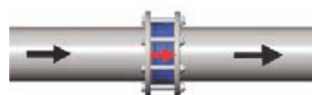
CONSTRUCTION

| 6 | 6 | Washer | Stainless steel |
|------|------|-------------|---------------------------------------|
| 5 | 2 | Stem | Stainless steel |
| 4 | 2 | Spring | Stainless steel |
| 3 | 2 | Seat | FPM (DN50 – 200) NBR (DN250 – 600) |
| 2 | 2 | Plates | Stainless steel |
| 1 | 1 | Body | Stainless steel |
| Pos. | Qty. | Description | Material |



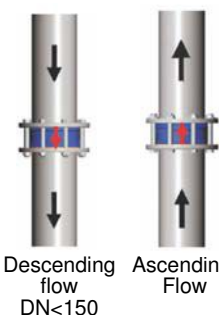
Horizontal

For assembling in horizontal position, check axis as to be placed in vertical position.



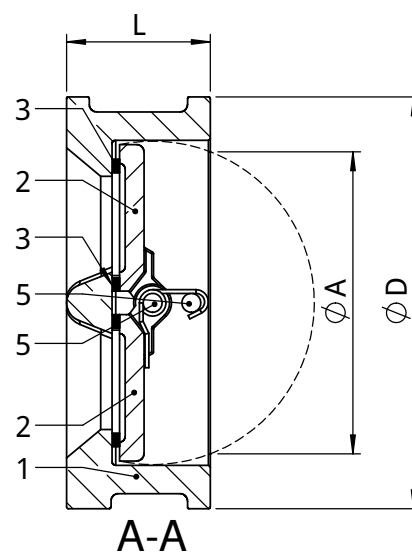
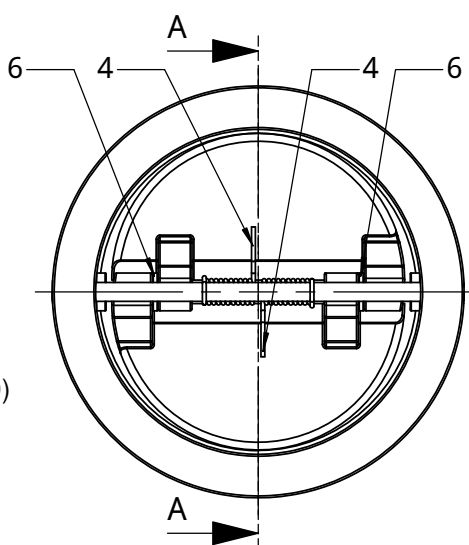
Vertical

To be assembled in vertical position the opening direction of the plates has to be in accordance to the direction of the fluid



DIMENSIONS

| DN | | L | Ø A | Ø D | Weight (kg) |
|-----|--------|-----|-----|-----|-------------|
| mm | inch | | | | |
| 50 | 2" | 43 | 56 | 108 | 1,2 |
| 65 | 2 1/2" | 46 | 62 | 128 | 1,9 |
| 80 | 3" | 64 | 70 | 143 | 3 |
| 100 | 4" | 64 | 90 | 164 | 4 |
| 125 | 5" | 70 | 110 | 194 | 6 |
| 150 | 6" | 76 | 130 | 220 | 8,5 |
| 200 | 8" | 89 | 195 | 275 | 15 |
| 250 | 10" | 114 | 245 | 338 | On request |
| 300 | 12" | 114 | 292 | 402 | |
| 350 | 14" | 127 | 340 | 460 | |
| 400 | 16" | 140 | 380 | 514 | |
| 450 | 18" | 152 | 435 | 565 | |
| 500 | 20" | 152 | 490 | 625 | |
| 600 | 24" | 178 | 580 | 733 | |



WORKING CONDITIONS

Minimum opening pressure : proche de zero
Maximum working pressure : 25 bar.
Maximum temperature : +120 °C (DN50 - 200)
+90 °C (DN250 - 600)

AGREEMENT AND TESTING

Test procedures are established according to NF EN 12266-1, DIN 3230, ISO 5208.
Face to face according EN 558-1 serie 16.
Mounting between flanges PN25 according to NF EN 1092-1.