

Ref. : CB 6442.pas

Rev. : I

Date : 18/12/2015

Page : 1/1

# WAFER TYPE DUAL PLATE CHECK VALVE

## CB 6442



### APPLICATION

General use : Chemical and pharmaceutical industries, petrochemical industries, hydraulic installation.

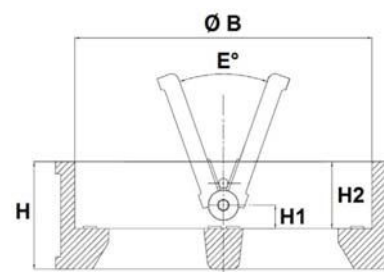
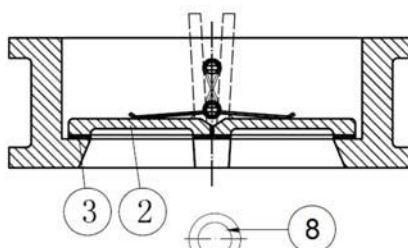
### GENERAL CHARACTERISTICS

Range : from DN 50 to DN 600.  
Vulcanized gasket. Hoisting eye from DN200 to DN600.  
Anticorrosion stainless tees spring. PTFE bushing.  
Weak head loss. Vertical position with ascendant fluid or horizontal position ( respect the flow direction indicated by the arrow ) Between flanges PN10/16 or PN25.



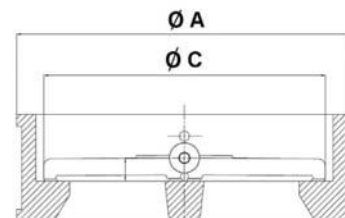
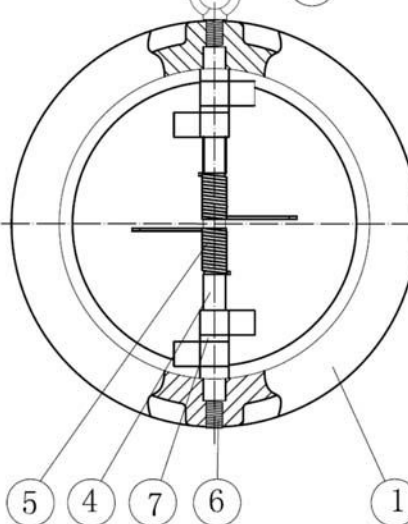
### CONSTRUCTION

8	Hoisting eye	Stainless steel 304
7	Spacer	PTFE
6	Screw	Stainless steel 316
5	Spring	Stainless steel 316
4	Shaft	Stainless steel 316
3	Seat	FKM
2	Plate	Stainless steel ASTMA351
1	Body	Stainless steel ASTMA351
Pos.	Description	Material



### DIMENSIONS

DN		H	H1	H2	A	B	C	E°	Weight (kg)
mm	inch								
50	2"	54	14,4	43	109	70,5	60,5	0°	1,84
65	2 1/2"	54	16,9	43	129	83,5	75,8	0°	2,4
80	3"	57	19,9	45	144	91,5	80,5	0°	3,35
100	4"	64	21	47	170	115,5	104,5	0°	5,05
125	5"	70	22,3	51	196	142,5	130,3	0°	6,68
150	6"	76	22,5	54	226	169,5	155,9	0°	9,6
200	8"	95	28	69	285	220,5	201,2	0°	18,07
250	10"	108	34	71	330	275,5	257,2	0°	26,9
300	12"	144	37	100	380	325,5	303,3	0°	38,9
350	14"	184	35	120	440	356	345,9	20°	80
400	16"	191	37,5	123	491	406	388,6	20°	106
450	18"	203	42,2	122,6	541	467	431,2	20°	128
500	20"	213	39,5	132	596	514	486,8	25°	158
600	24"	222	48,5	138,5	698	616	607,6	25°	225



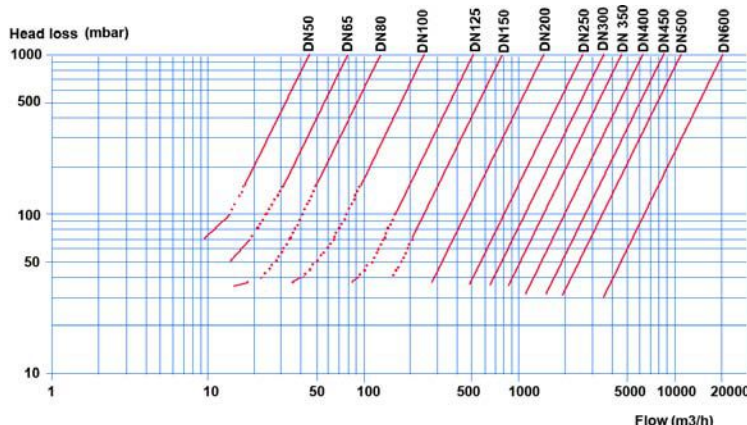
### WORKING CONDITIONS

Maximum working pressure : 16 bar from DN50 to DN300.  
10 bar from DN350 to DN600.

Maximum temperature : -10°C / +180°C.

### STANDARD

Fabrication according to ISO 9001 : 2008  
DIRECTIVE 2014/68/UE Risk Category III module H  
Desingning according to API 594  
Pressure tests according to API 598, table 6  
face to face in accordance with EN 558 Serie 50  
Connection between flanges EN 1092-1:  
PN25 from DN50 to DN200 and  
PN10/16 from DN250 to DN600.



**TECOFI France** - 83, Rue Marcel Mérieux 69960 Corbas - FRANCE  
Tél. +33 (0) 4 72 79 05 79 - Fax +33 (0) 4 78 90 19 19 / +33 (0) 4 72 79 05 70  
Adresses e-mail : sales@tecofi.fr ; tecofi@tecofi.fr / Site web : [www.tecofi.fr](http://www.tecofi.fr)